

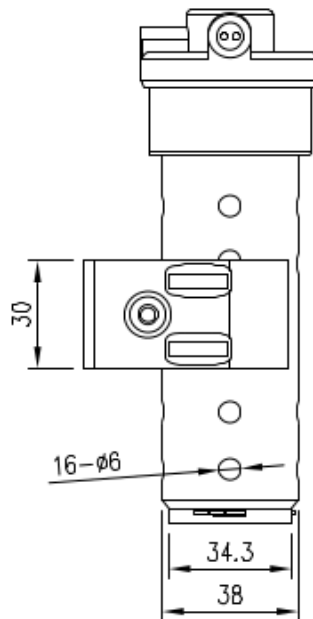
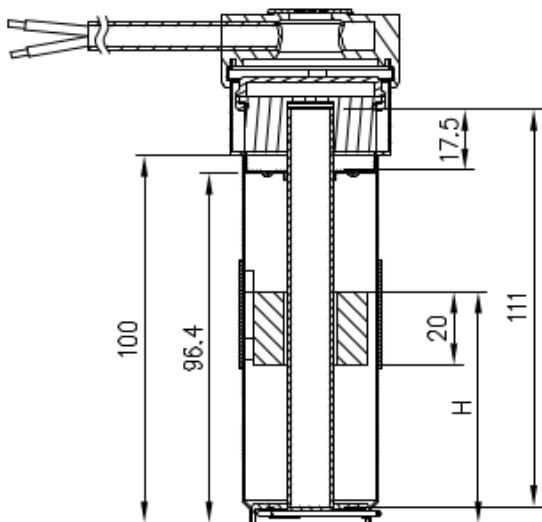
# BILGE ALARM SWITCH



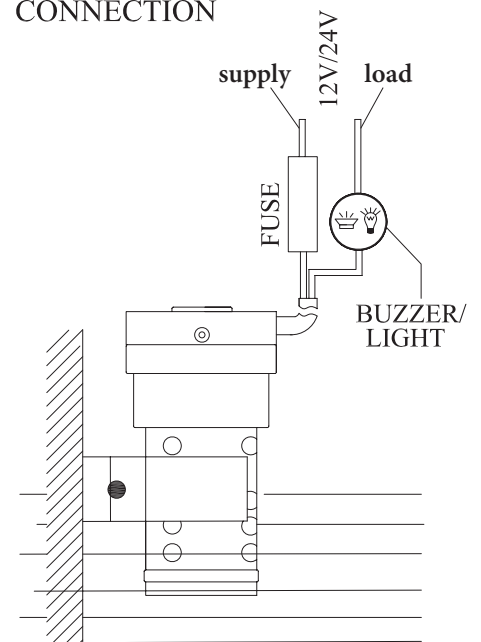
This device is for detecting water level at the bottom of your boat. When water comes up to alarm level, the buzzer will sound. The housing, which can be conveniently disassembled and cleaned, can prevent foreign particles from obstructing the movement of the float.

Model	Description
OVG-S	Bilge Alarm Switch

**Material** SUS 316 Stainless Steel  
**Length** Standard length is 4"  
**Switching Current** 0.3 Amps



### CONNECTION



Proudly distributed by:



16 Parkinson Lane  
 O'Connor WA 6163  
 Australia

**Phone** +61 8 9331 3100  
**Fax** +61 8 9331 5150  
**Email** [mail@amelec.com.au](mailto:mail@amelec.com.au)  
**Web** [www.amelec.com.au](http://www.amelec.com.au)